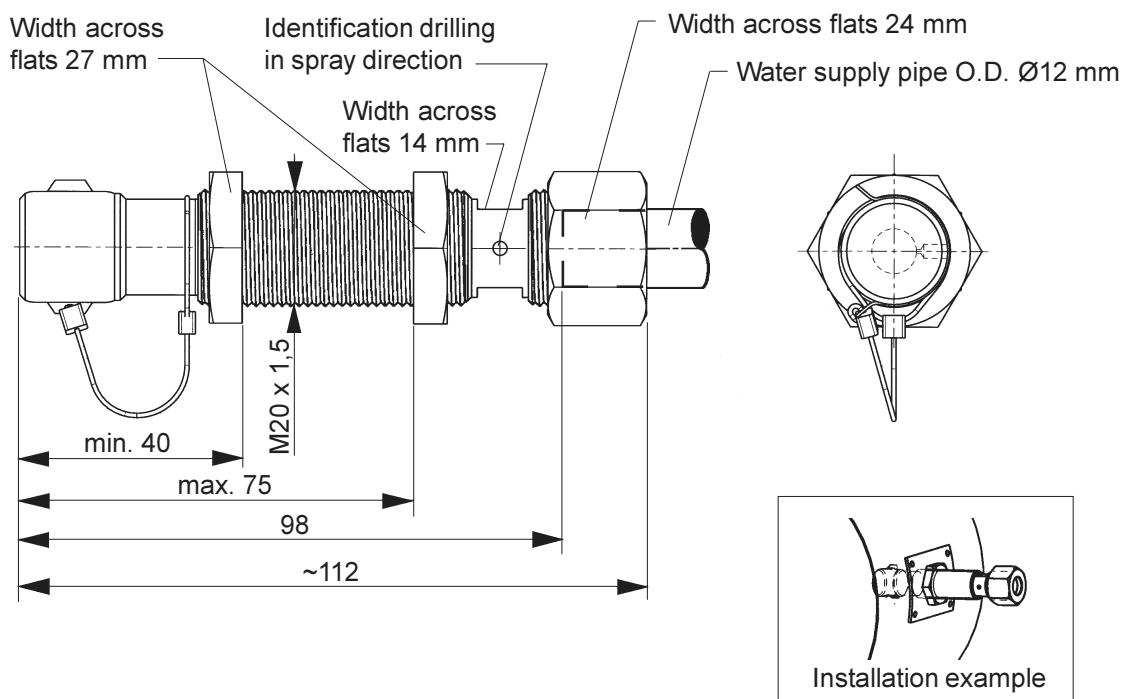
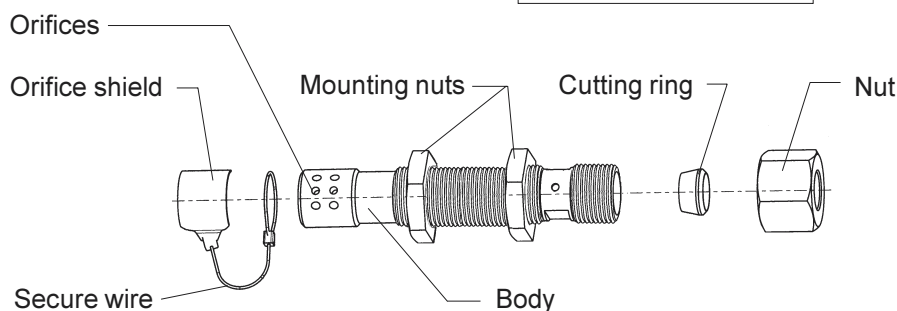


Stock code	Type	Duct cross area	Orifices per spray head	K-factor
C70302	DPF-2-0.7-40/70-12S	≤ 625 cm ² (□ 0,25 m x 0,25 m)	2	0,4 lpm/bar ^{0.5}
C70304	DPF-4-0.7-40/70-12S	≤ 2500 cm ² (□ 0,50 m x 0,50 m)	4	0,8 lpm/bar ^{0.5}
C70306	DPF-6-0.7-40/70-12S	≤ 5600 cm ² (□ 0,75 m x 0,75 m)	6	1,3 lpm/bar ^{0.5}



When activated, the high pressure water mist pushes away the orifice protection shield tensioned at the orifice end of the spray head. The shield is secured to the body by a wire, to avoid loose pieces.



General	Body material	Stainless steel AISI316L
	Mass	ab. 0,28 kg
Installation	Location	Orifices inside duct
	Projection	Orifices along the duct flow direction
	Max. spacing*	10 m
Typical application		Galley and laundry ducts

*) Application specific